

MT59 INT. 43 - RIGHT/LEFT

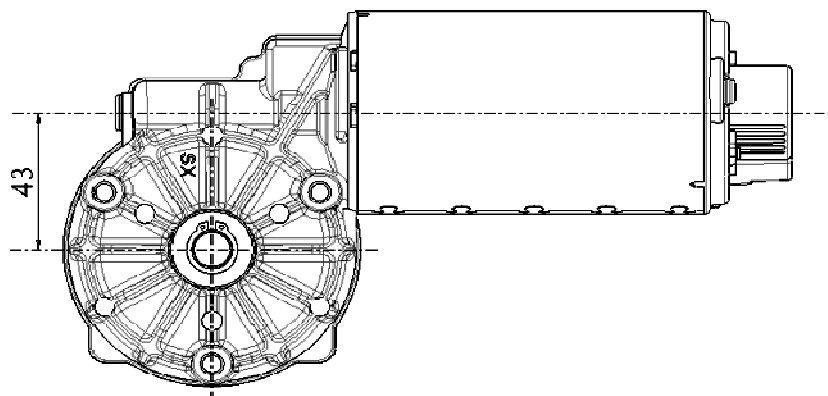
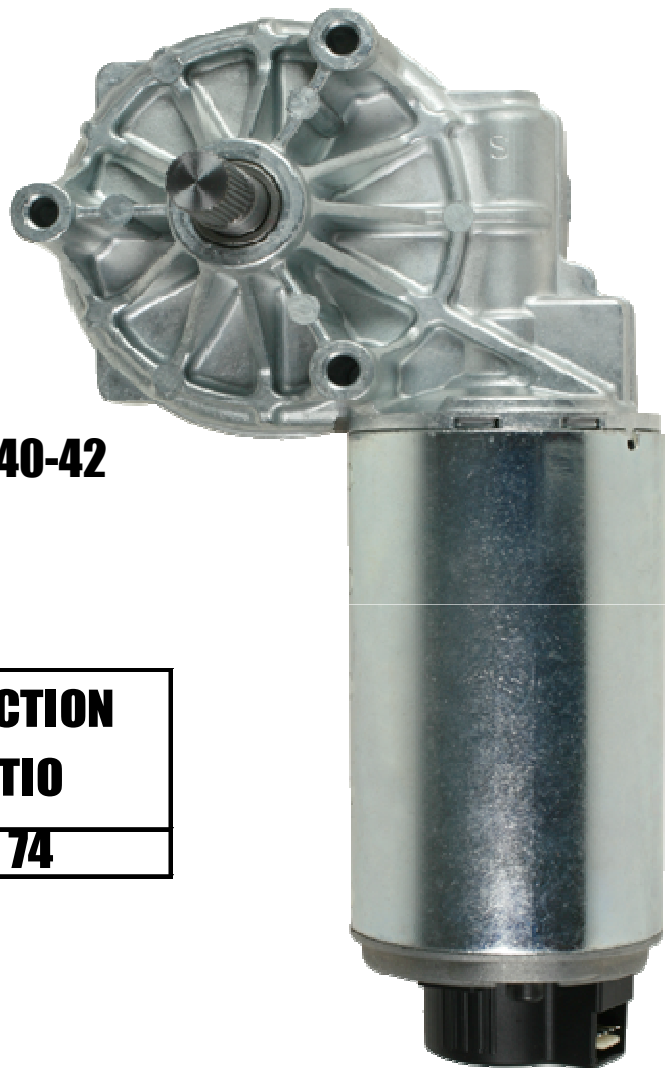
Diam. 59 mm

Supply voltage: 12-24-36-40-42

Rpm: 10÷80

Torque: 10÷25 Nm

GEAR REDUCER TYPE	REDUCTION RATIO
Z74 - 1P	1÷74





COSTRUZIONE MOTORI ELETTRICI

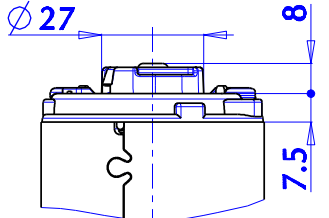
Vicolo Vienna,5 - 24040 Bottanuco (BG)
ITALIA

Tel. 035/906594 - Fax 035/906158
Internet <http://www.fise-spa.it>
E-mail fisespa@fise-spa.it

BOLLETTINO
TECNICO

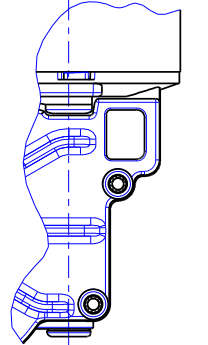
motor code
MT

version without
encoder



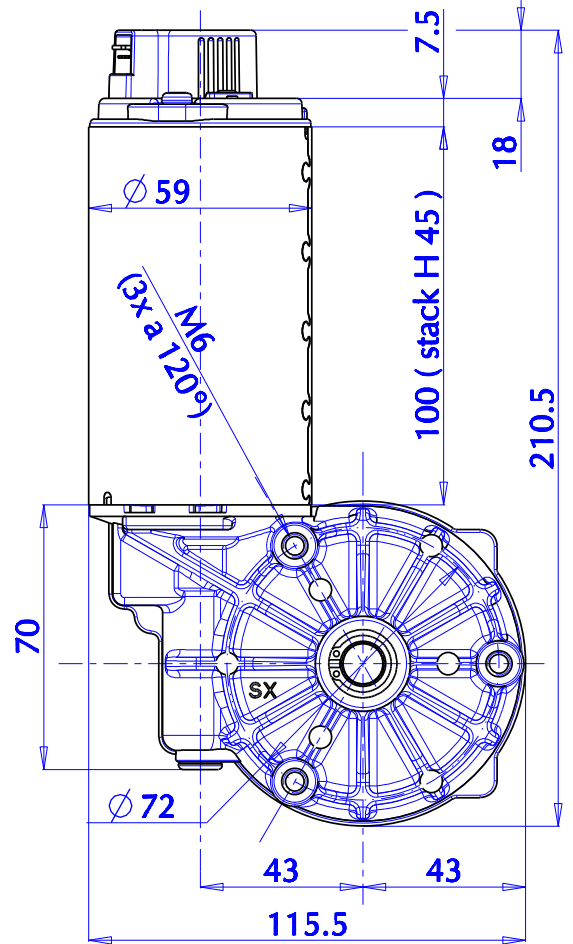
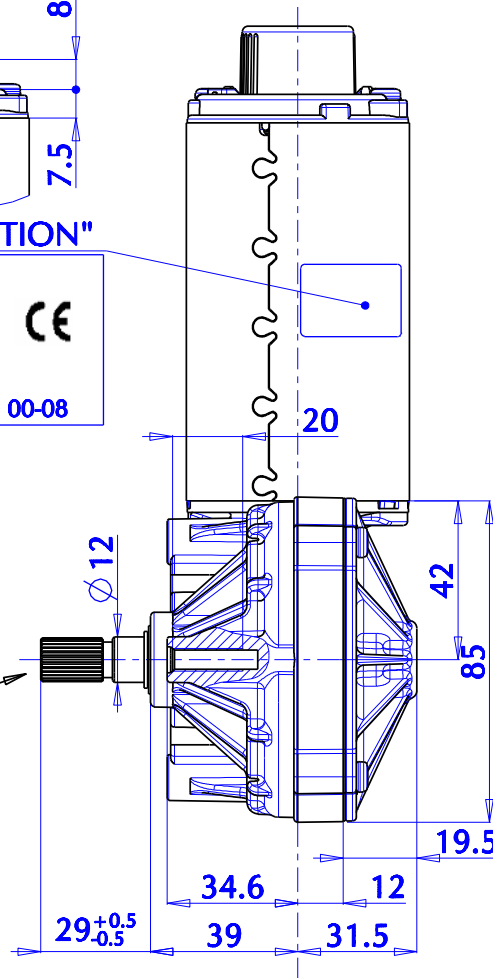
"DATA INDICATION"

FISE S.p.A
MADE IN ITALY
MT.....
..V DC FF1
Serial n.00000 00-08

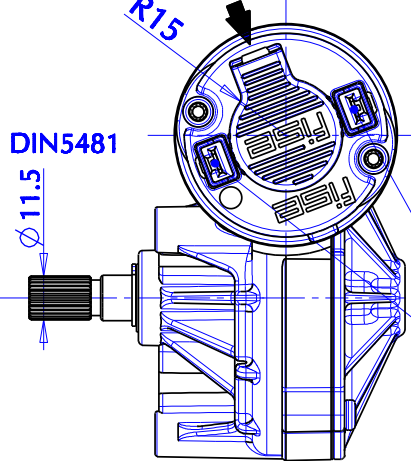


Available
shaft example,
execution
at request

LEFT version with encoder (1 channel ,
2 channels, 1 channel + rotation sense)



Connector 4 poles
pitch 2.54mm
I/O
ENCODER



TENSION (V) : 12,24,36,40,42
RPM/MIN : 10+80
TORQUE Nm : 10+25

TYPE WHEEL - SHAFT	GEAR REDUCTION RATIO
Z74 - 1P	1 / 74

-male terminal for female faston 6.3 x 0.8
-alimentation cables section 1 mm

SCALE 0.500

ISSUED ON : 08-02-08