

MR59 INT. 31 - RIGHT/LEFT



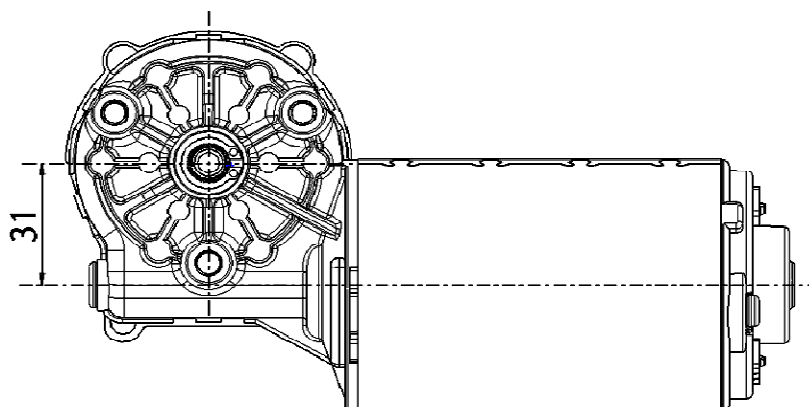
Diam. 59 mm

Supply voltage: 12-24-36- 40-42

Rpm: 30÷100

Torque: 3÷6 Nm

| GEAR REDUCER TYPE | REDUCTION RATIO |
|------------------------------|----------------------------|
| Z69 - 1P | 1÷ 69 |
| Z55 - 1P | 1÷ 55 |
| Z53 - 2P | 1÷ 26,5 |
| Z75 - 3P | 1÷ 25 |
| Z61 - 4P | 1÷ 15,25 |
| Z42 - 4P | 1÷ 10,5 |
| Z41 - 4P | 1÷ 10,25 |





COSTRUZIONE MOTORI ELETTRICI

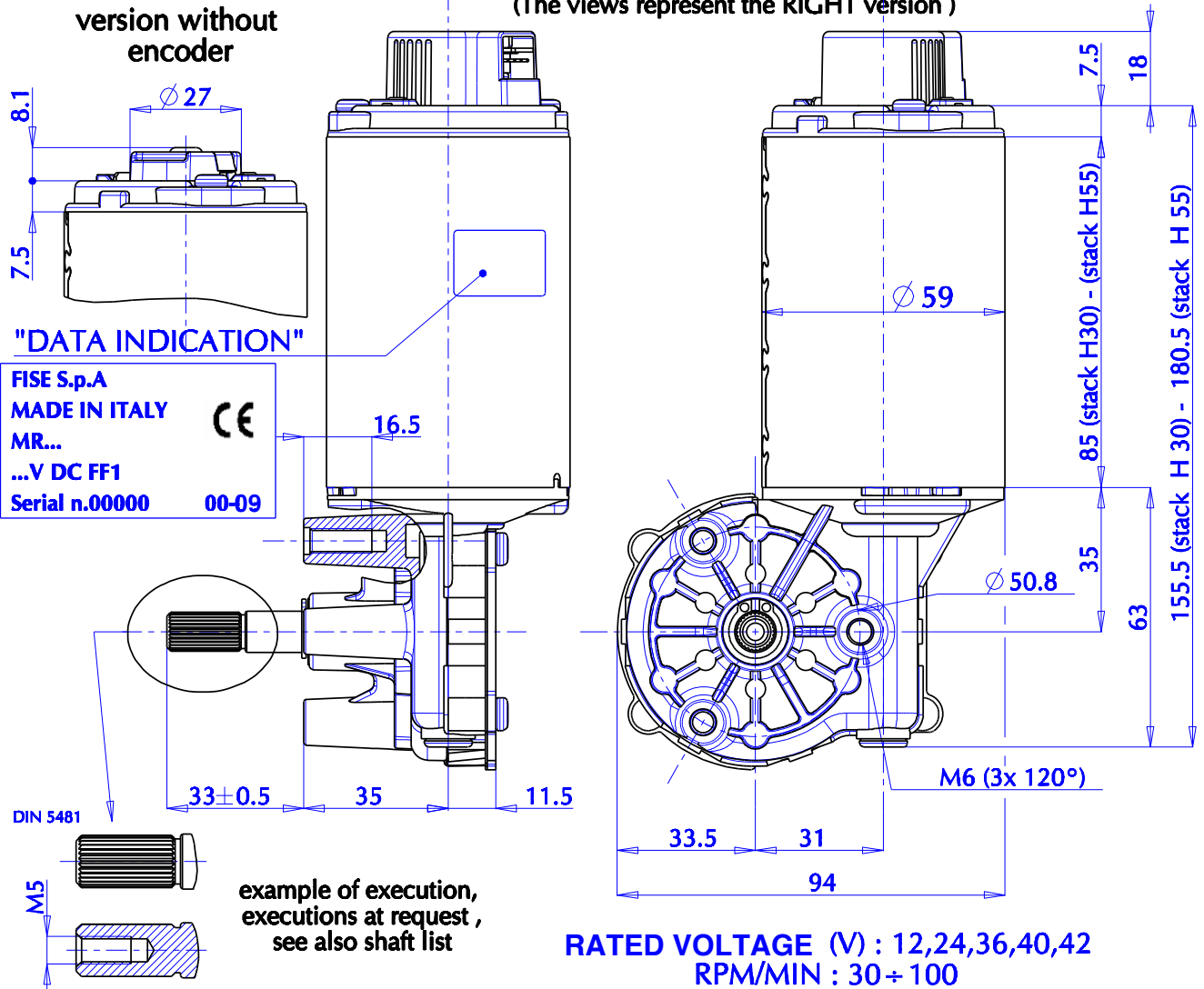
Vicolo Vienna,5 - 24040 Bottanuco (BG)
ITALIA

Tel. 035/906594 - Fax 035/906158
Internet <http://www.fise-spa.it>
E-mail fisespa@fise-spa.it

BOLLETTINO
TECNICO

motor code
MR

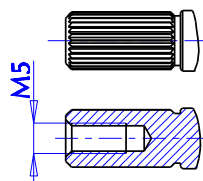
version RIGHT or LEFT with encoder
(1 channel, 2 channels, Channel 1 + rotation)
(The views represent the RIGHT version)



"DATA INDICATION"
FISE S.p.A
MADE IN ITALY
MR...
...V DC FF1
Serial n.00000

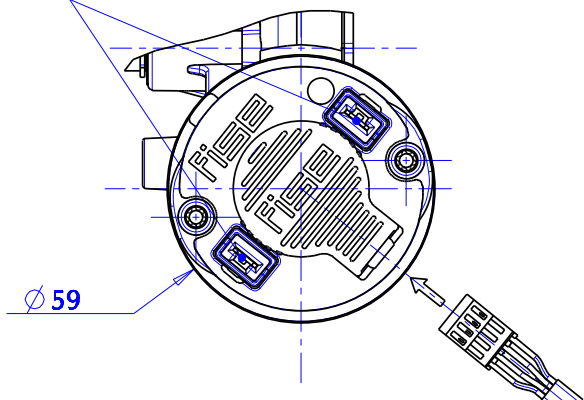


DIN 5481



example of execution,
executions at request,
see also shaft list

-male terminal for FEMALE Faston 6.3x0.8
- POWER SUPPLY cables section 1 mm²



SCALE 0.600

Connector 4 poles pitch 2.54mm
I/O ENCODER

RATED VOLTAGE (V) : 12,24,36,40,42
RPM/MIN : 30 ÷ 100
TORQUE Nm : 3 ÷ 6

| REDUCTION GEAR | REDUCTION RATIO |
|----------------|-----------------|
| Z41 - 4P | 1 / 10.25 |
| Z42 - 4P | 1 / 10.5 |
| Z61 - 4P | 1 / 15.25 |
| Z75 - 3P | 1 / 25 |
| Z53 - 2P | 1 / 26.5 |
| Z55 - 1P | 1 / 55 |
| Z69 - 1P | 1 / 69 |
| | |
| | |

ISSUED ON : 15-02-08