

MJ63 INT. 25 - RIGHT/LEFT



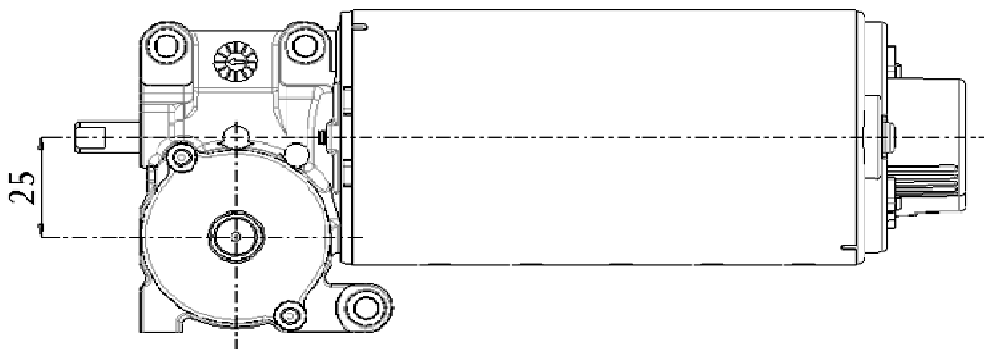
Diam. 63 mm

Rated voltage: 12-24-36-40-42

Rpm: 50÷150

Torque: 1,5 Nm

GEAR REDUCER TYPE	REDUCTION RATIO
Z41-4P	1 ÷ 10,25
Z24-1P	1 ÷ 24





COSTRUZIONE MOTORI ELETTRICI

Vicolo Vienna,5 - 24040 Bottanuco (BG)
ITALIA

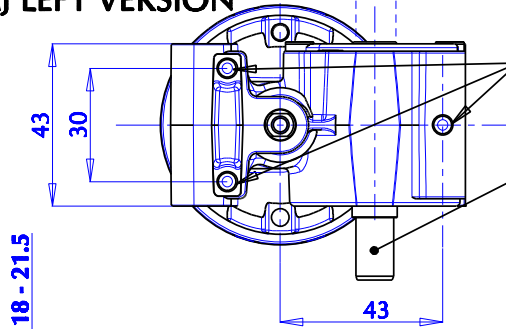
Tel. 035/906594 - Fax 035/906158
Internet <http://www.fise-spa.it>
E-mail fisespa@fise-spa.it

BOLLETTINO
TECNICO

motor code
MJ

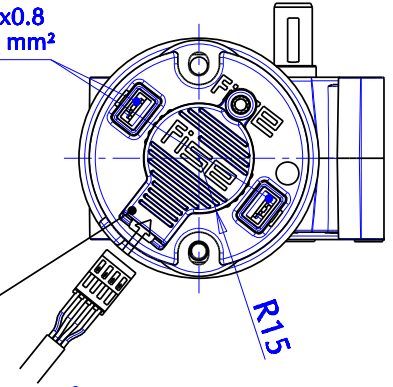
shaft way out, for
MJ LEFT VERSION

- Terminal for Faston female 6.3x0.8
- power supply Cables section 1 mm²



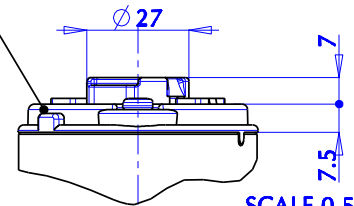
shaft way out, for
MJ RIGHT VERSION

VERSION WITH ENCODER
(1 Channel ,2 Channels,
1 Channel + rotation sense)



Connector
4 poles pitch 2.54mm
I/O ENCODER

VERSION WITHOUT ENCODER



SCALE 0.500

"DATA INDICATION"

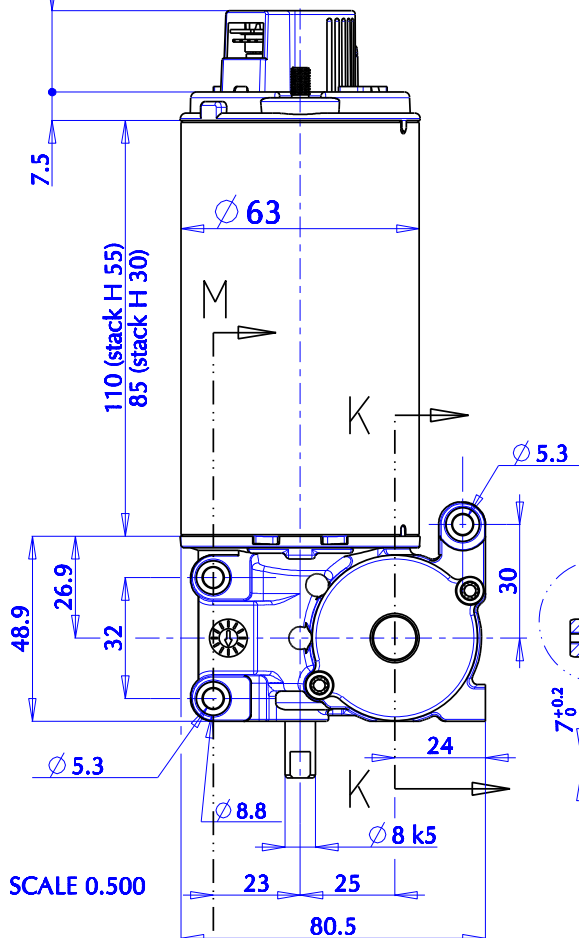
FISE S.p.A
MADE IN ITALY
MJ.....
...V DC FF1
Serial n.00000 00-09



SEE DETAIL B
SHAFT Example,
EXECUTION AT
REQUEST

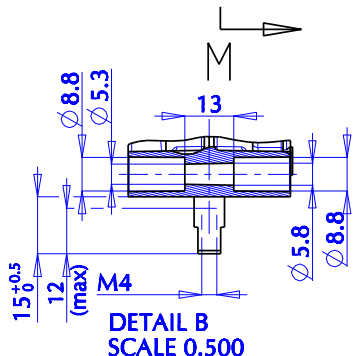
SHAFT Example , SEE DETAIL A,
EXECUTION AT
REQUEST

RATED VOLTAGE (V) : 12,24,36,40,42
RPM/MIN : 50 + 300
TORQUE Nm : 1.5 + 3

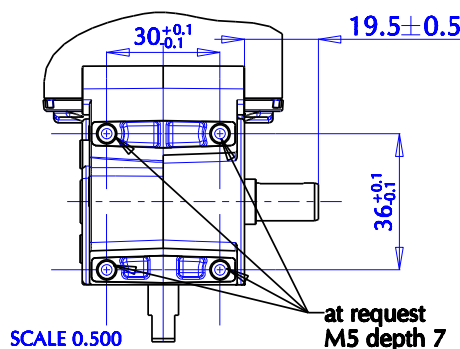


SCALE 0.500

section K-K
M-M

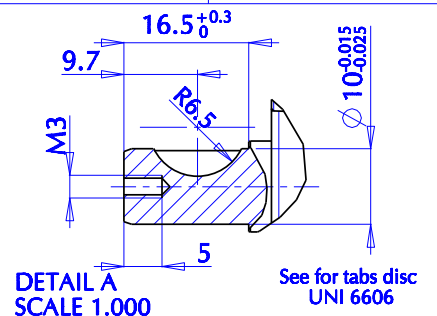


DETAIL B
SCALE 0.500



SCALE 0.500
at request
M5 depth 7

REDUCTION GEAR	REDUCTION RATIO
Z41 - 4P	1 / 10.25
Z24 - 1P	1 / 24



DETAIL A
SCALE 1.000

See for tabs disc
UNI 6606

ISSUED ON : 24-03-09