



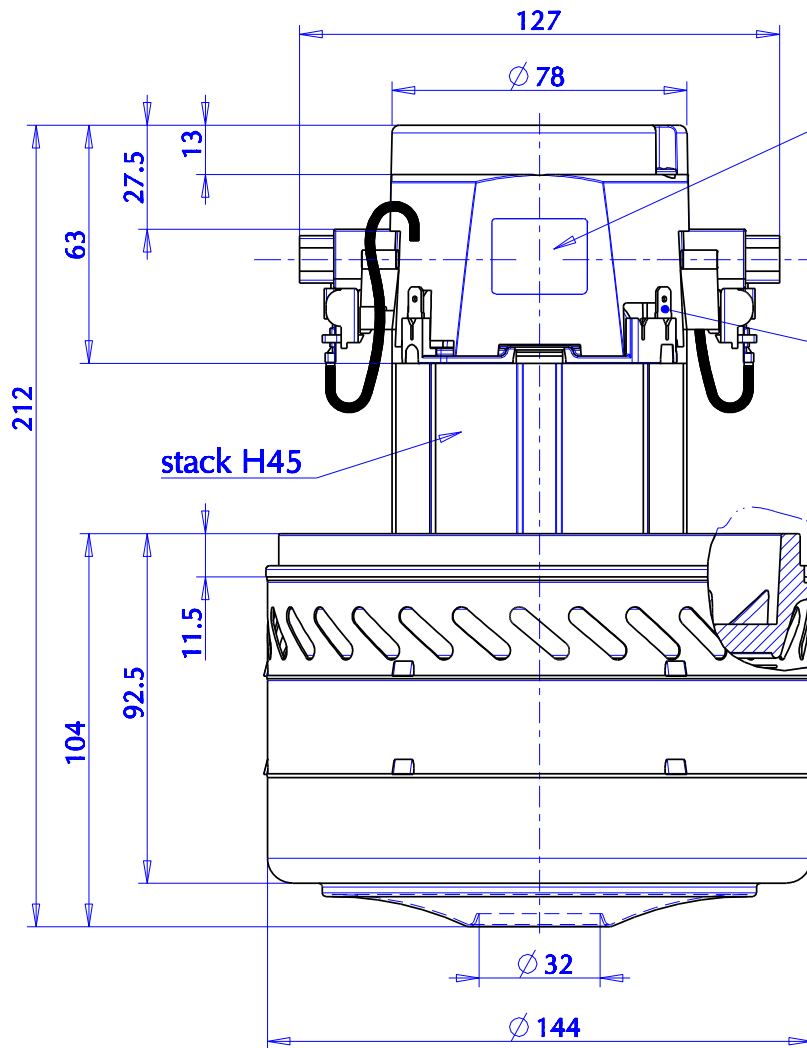
COSTRUZIONE MOTORI ELETTRICI

Vicolo Vienna,5 - 24040 Bottanuco (BG)
ITALIA

Tel. 035/906594 - Fax 035/906158
Internet <http://www.fise-spa.it>
E-mail fisespa@fise-spa.it

DATA SHEET

MOTOR CODE
Sj.3
(pagoda)



POWER (W) : 1500 ÷ 1700

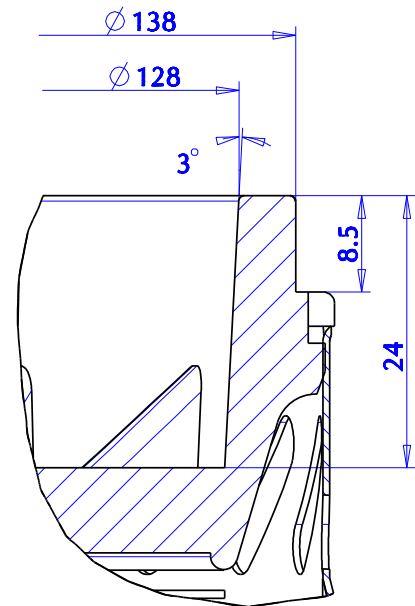
Motor label

FISE S.p.A
Sk3...
... V ... Hz ... W
CL.....assembly line n° ...
Serial N. 00000 week-year

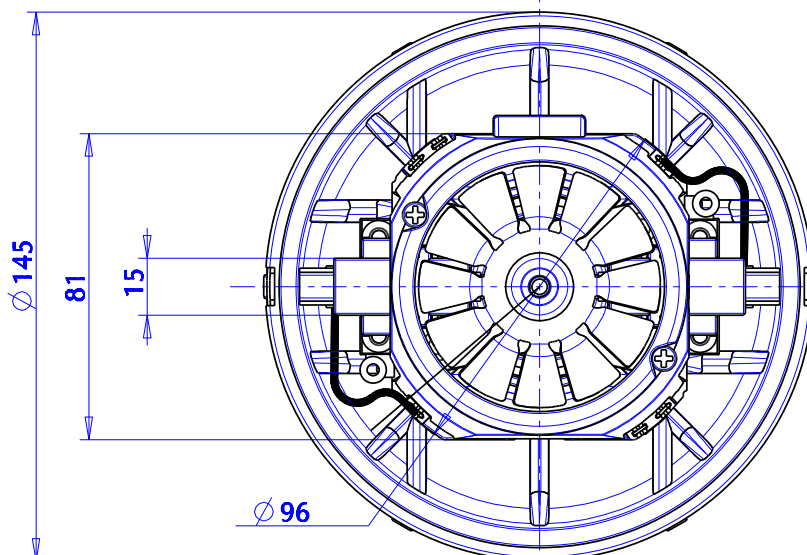


connection for
female faston
4,8 x 0,8

SEE DETAIL A



DETAIL A
SCALE 1.500



issued on : 21-10-11