

M59

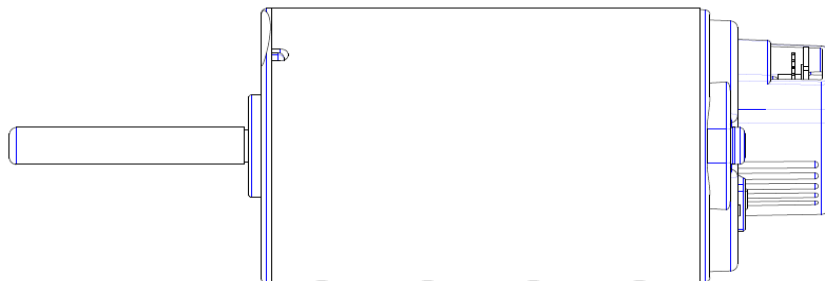


Diam. 59 mm

Supply voltage: 12 ÷ 48 DC FF1

Rpm: at customer request

Torque: 0,2÷1 Nm





COSTRUZIONE MOTORI ELETTRICI

Vicolo Vienna,5 - 24040 Bottanuco (BG)
ITALIA

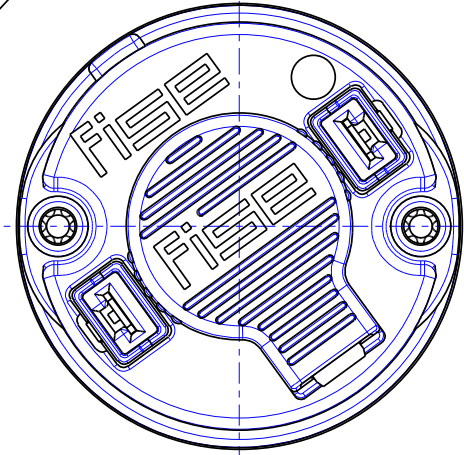
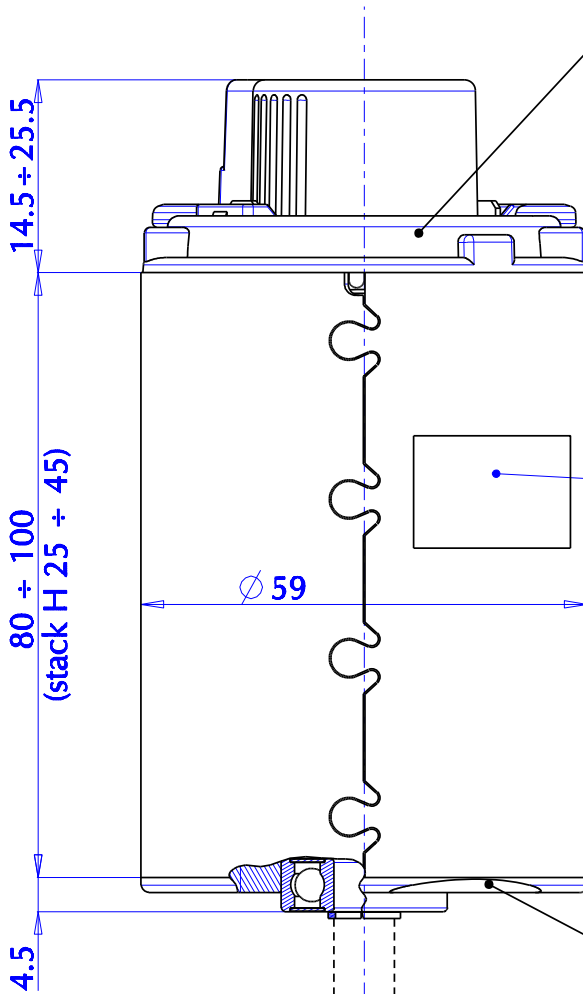
Tel. 035/906594 - Fax 035/906158
Internet <http://www.fise-spa.it>
E-mail fisespa@fise-spa.it

BOLLETTINO
TECNICO

motor code
M59

supply voltage V : 12 ÷ 48 (DC FF1)
RPM / min : ÷
Torque Nm : 0.2 ÷ 1

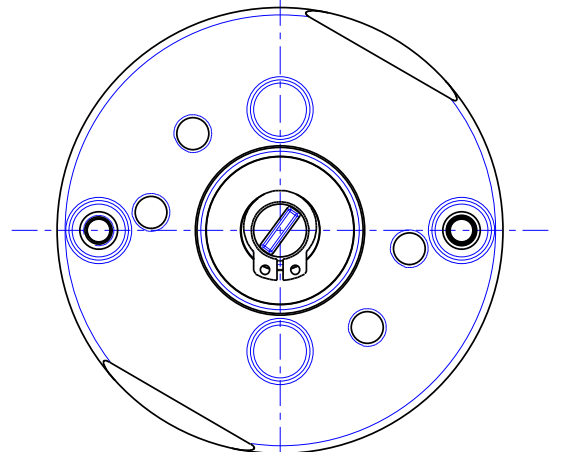
execution at request
(see commutator side flanges
list for diam.59)



"DATA INDICATION"

FISE S.p.A
MADE IN ITALY
M59....
..V DC FF1
Serial n.00000 00-09

execution at request
(see shaft side flanges list , for diam.59)



SECTION B-B
SCALE 1.000

execution at request
(see available shaft list)

ISSUED ON DESIGN : 02-02-09