

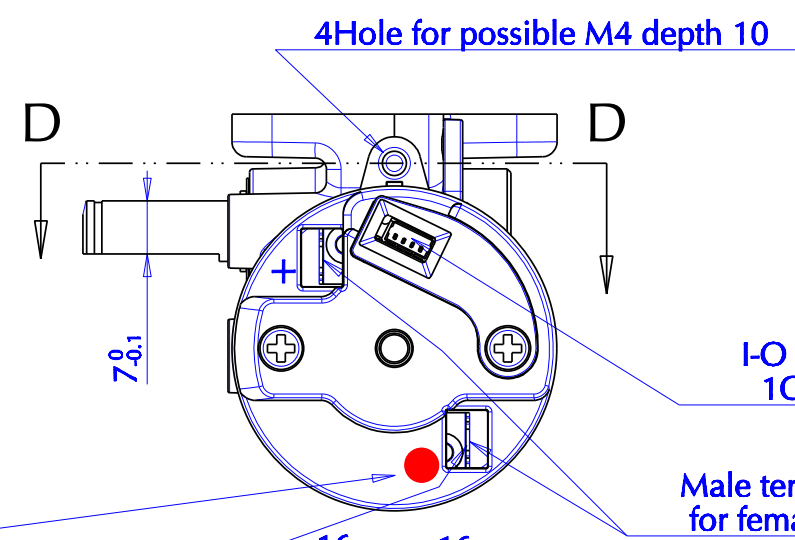
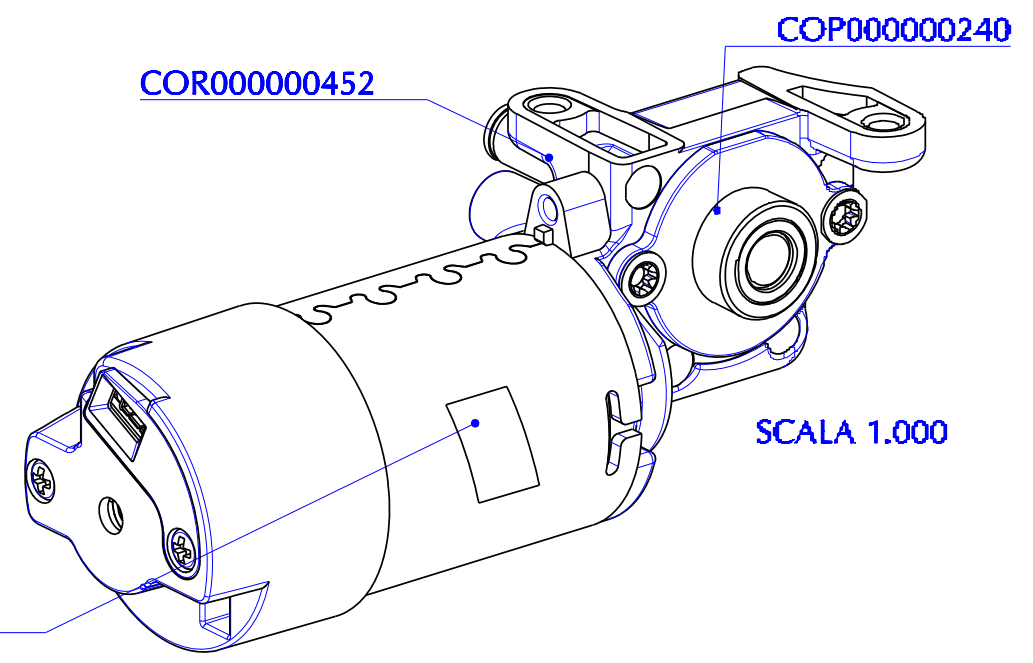


COSTRUZIONE MOTORI ELETTRICI
 Vicolo Vienna,5 - 24040 Bottanuco (BG)
 ITALIA
 Tel. 035/906594 - Fax 035/906158
 Internet <http://www.fise-spa.it>
 E-mail fisespa@fise-spa.it

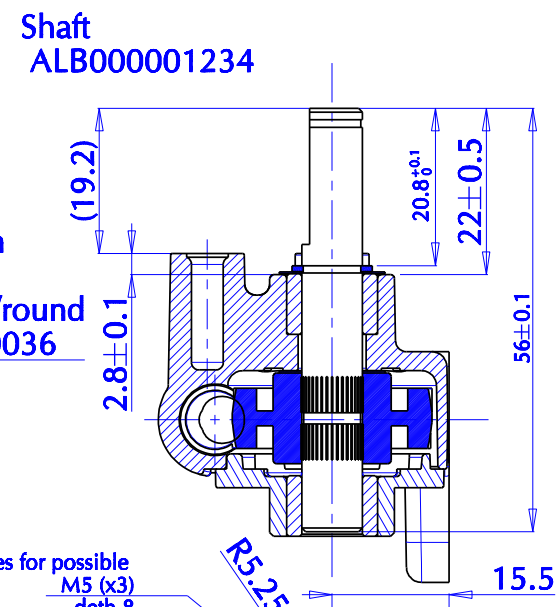
Gear motor MAD000000002

Nominal voltage	24V DC
Reduction	1 : 34
No load , RPM	105 ±8%
No load , current	0.2 A
Nominal torque	0.9 Nm
Nominal current	1 A
Nominal RPM	67 ±8%

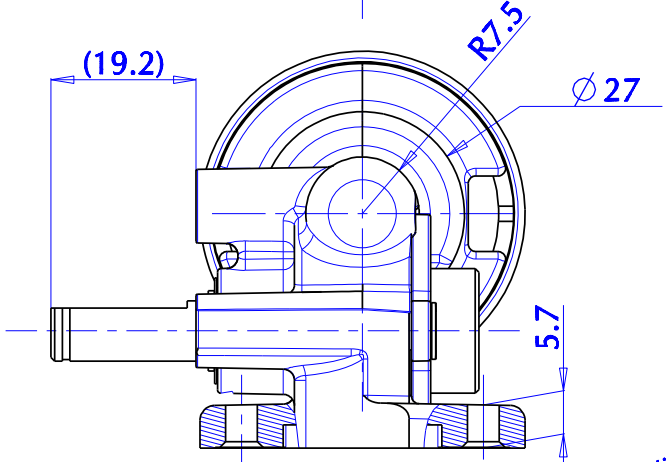
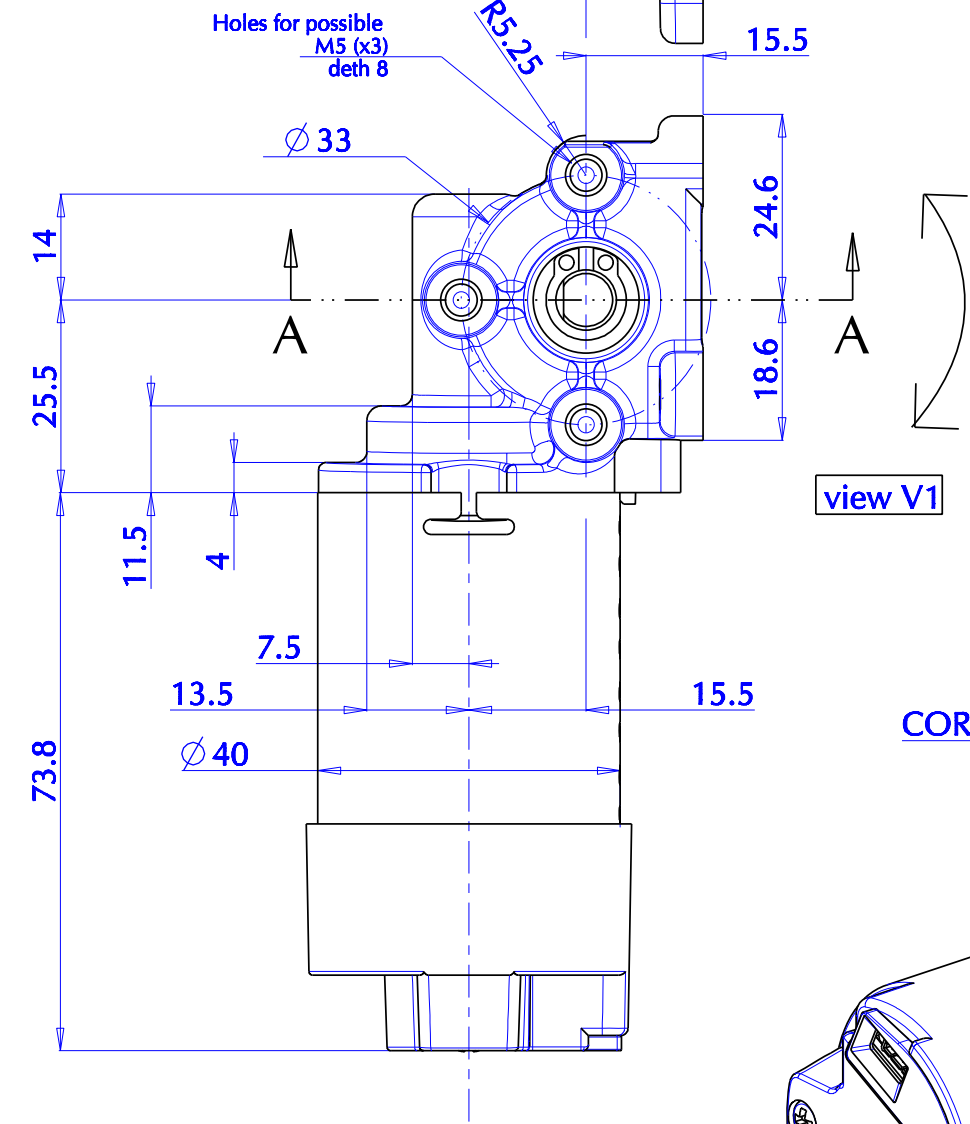
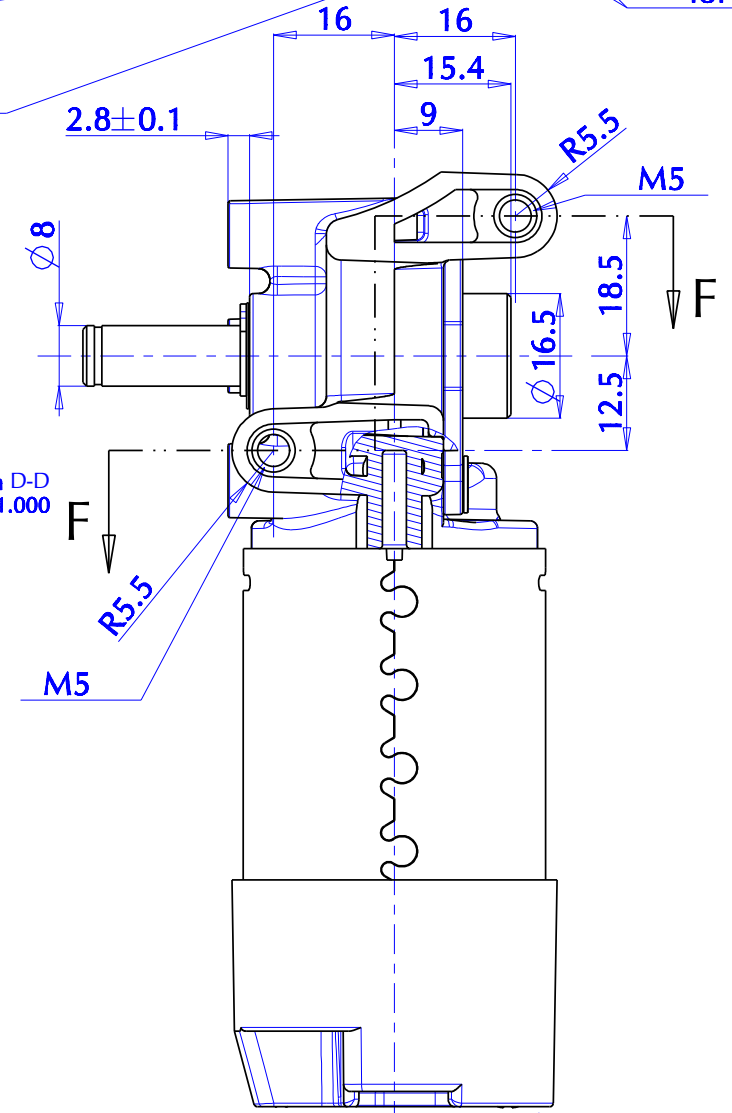
note: use 2 different separate power supply, one for the motor and another for the encoder



for Molex connection
51021
I-O ENCODER 2impulses/round
1C+R code ENC000000036



connecting to this terminal the positive signal, the rotation will be counterclockwise looking at "slow" shaft as shown in view V1



DATA indication
 FISE SPA
 MAD000000002
 24V FF1 DC
 Serial N. 00000 week-year