



COSTRUZIONE MOTORI ELETTRICI

Vicolo Vienna,5 - 24040 Bottanuco (BG)  
ITALIA

Tel. 035/906594 - Fax 035/906158  
Internet <http://www.fise-spa.it>  
E-mail [fisespa@fise-spa.it](mailto:fisespa@fise-spa.it)

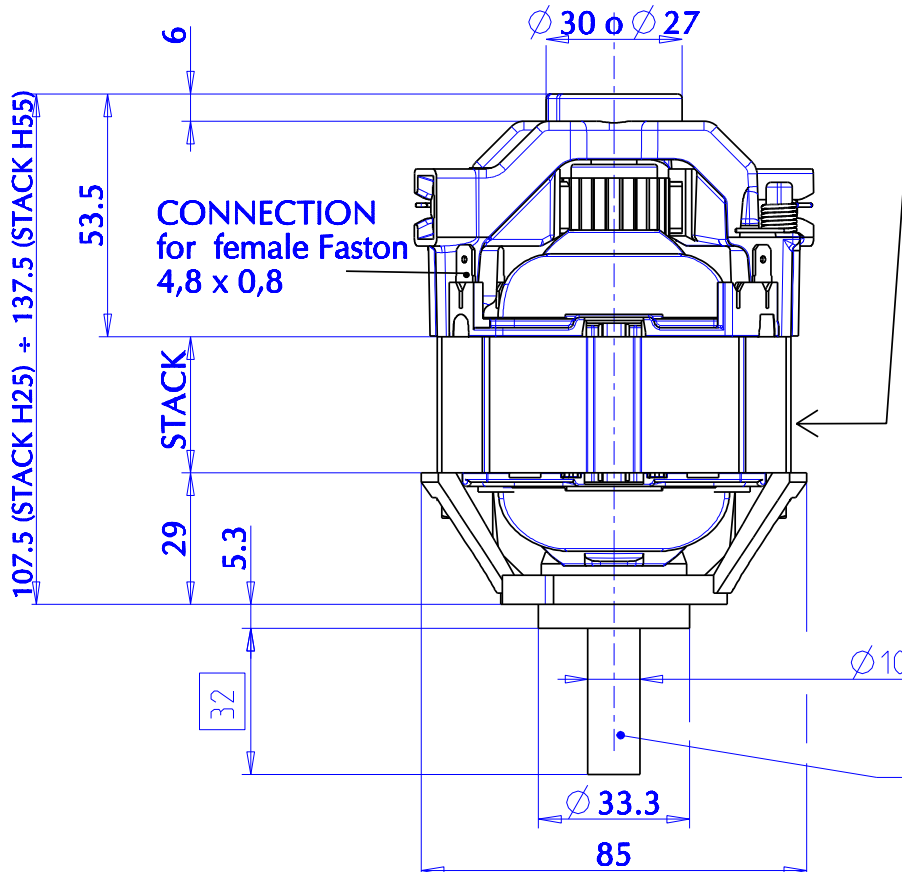
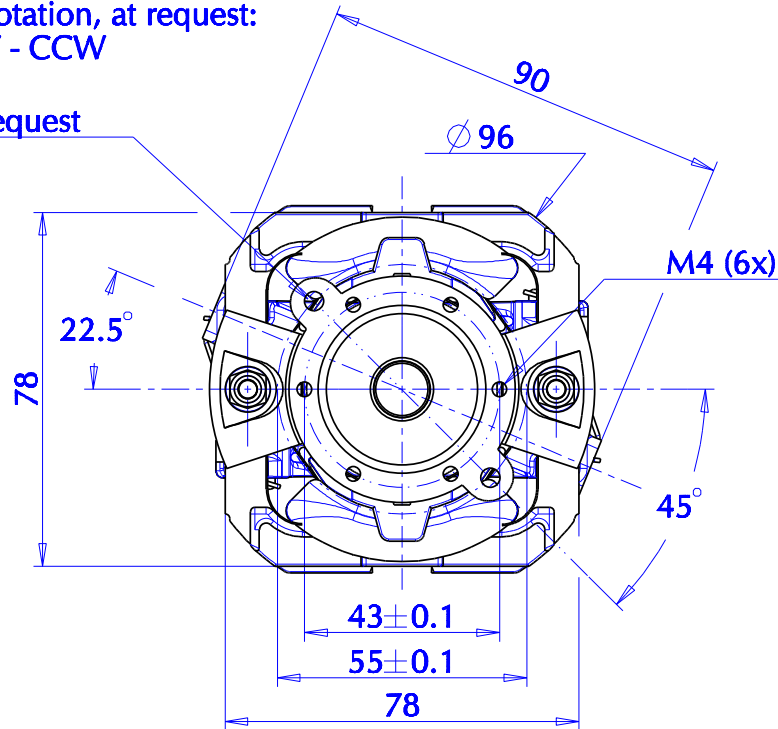
DATA SHEET

MOTOR CODE

U96

Direction of rotation, at request:  
CW - CCW

M5 (2x) at request



Motor label

FISE S.p.A  
U96...  
...V ... Hz ... W  
CL. .... assembly line n°  
Serial N. 00000 week-year



EXECUTION  
AT REQUEST

scale 0.600

Issued on :17-10-11