

MTS78 INT. 43 - LEFT

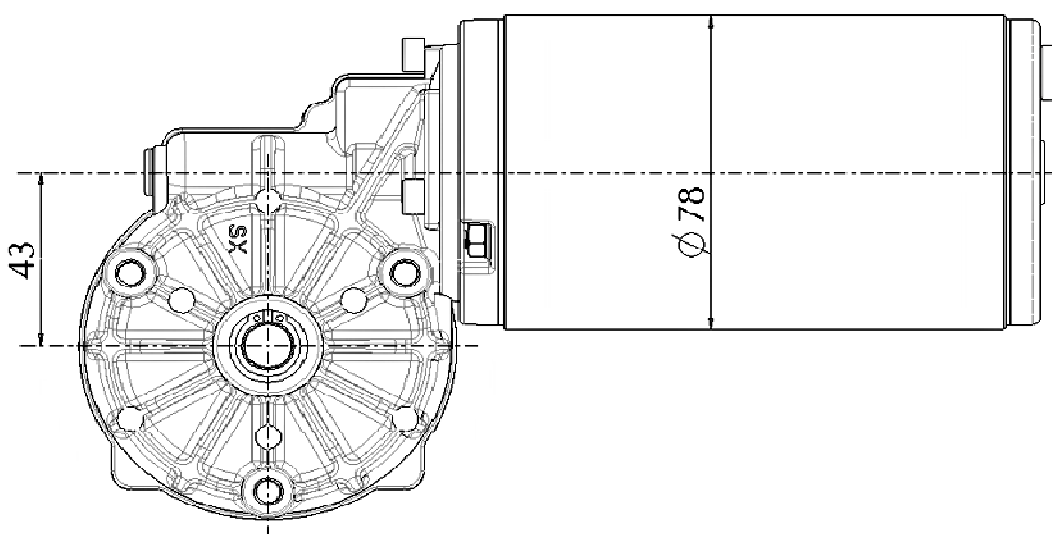
Diam. 78 mm

Rated voltage: 12-24-36-40-42

Rpm: 10÷80

Torque: 10÷25 Nm

GEAR REDUCER TYPE	REDUCTION RATIO
Z74 - 1P	1 ÷ 74





COSTRUZIONE MOTORI ELETTRICI

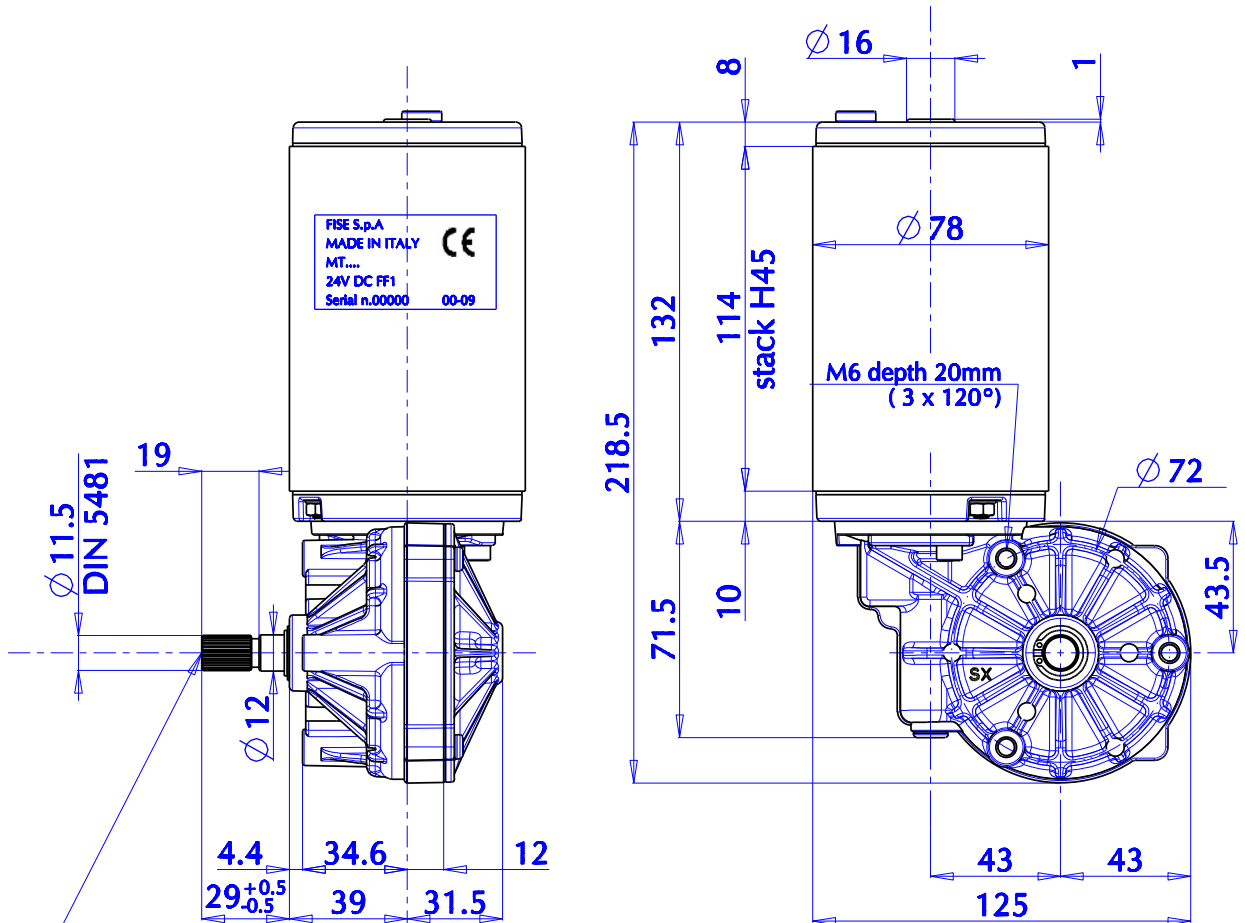
Vicolo Vienna,5 - 24040 Bottanuco (BG)
ITALIA

Tel. 035/906594 - Fax 035/906158
Internet <http://www.fise-spa.it>
E-mail fisespa@fise-spa.it

BOLLETTINO
TECNICO

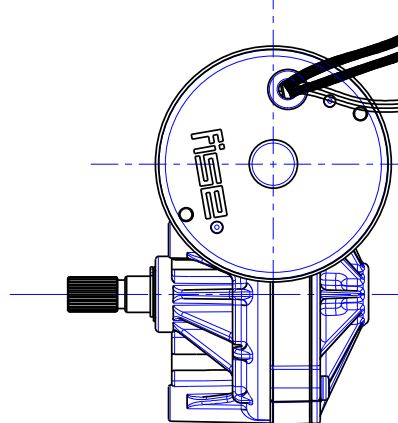
MOTORE CODICE
MTS 78

execution at request
with internal encoder (1 channel ,2 channels, 1 channel + rotation sense)



Available shaft example,
execution at request

power supply



I/O encoder (24V)
brown (+)
white (-)
green (out A)
yellow (out B)

RATED VOLTAGE (V) : 12,24,36,40,42
RPM/MIN : 10+80
TORQUE Nm : 10+25

REDUCTION GEAR	REDUCTION RATIO
Z74 - 1P	1 / 74