

# MS59 INT. 35 - RIGHT/LEFT



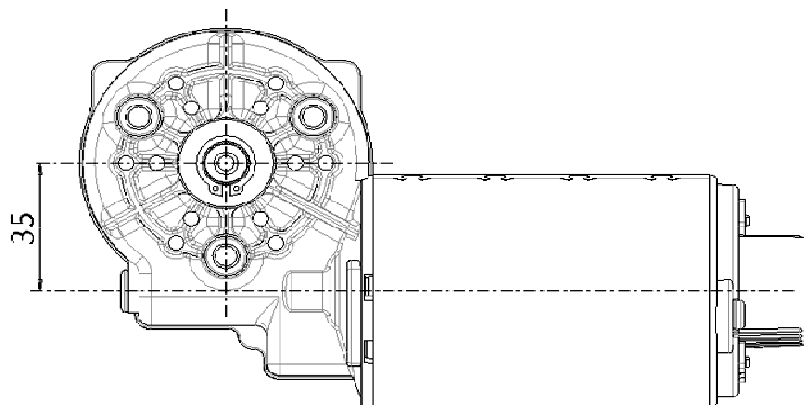
**Diam. 59 mm**

**Supply voltage: 12-24-36-40-42**

**Rpm: 100÷200**

**Torque: 1÷10 Nm**

<b>GEAR REDUCER TYPE</b>	<b>REDUCTION RATIO</b>
<b>Z79 - 1P</b>	<b>1 ÷ 79</b>
<b>Z63 - 1P</b>	<b>1 ÷ 63</b>





COSTRUZIONE MOTORI ELETTRICI

Vicolo Vienna,5 - 24040 Bottanuco (BG)  
ITALIA

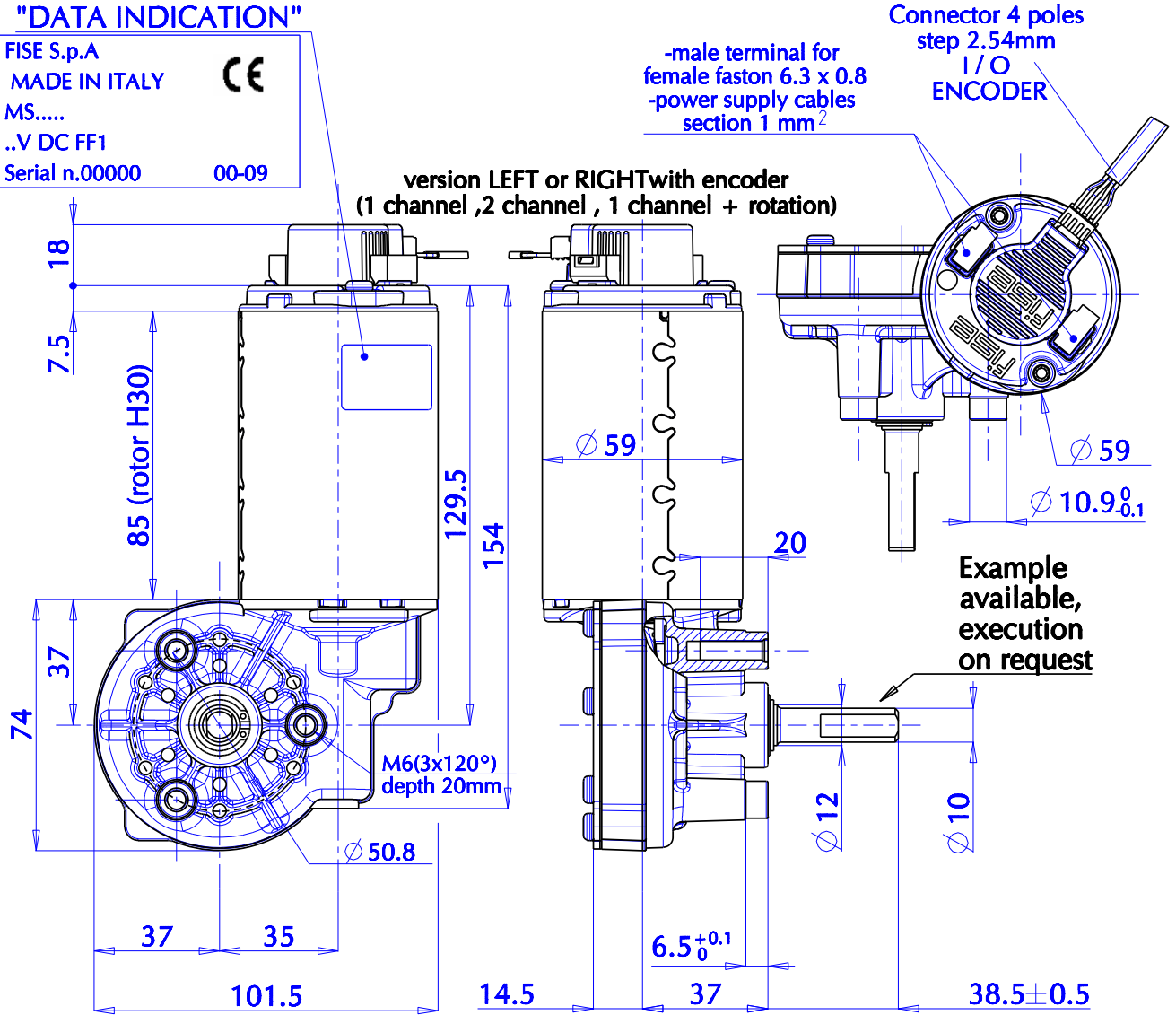
Tel. 035/906594 - Fax 035/906158  
Internet <http://www.fise-spa.it>  
E-mail [fisespa@fise-spa.it](mailto:fisespa@fise-spa.it)

BOLLETTINO  
TECNICO

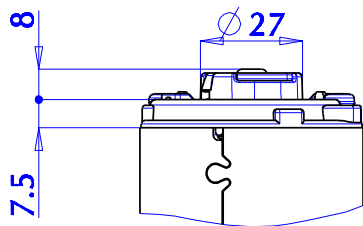
motor code  
**MS**

"DATA INDICATION"

FISE S.p.A  
MADE IN ITALY   
MS.....  
..V DC FF1  
Serial n.00000 00-09



version without  
encoder



SCALE 0.500

RATED VOLTAGE (V) : 12,24,36,40,42  
RPM/MIN : 100 ÷ 200  
TORQUE Nm : 1 ÷ 10

REDUCTION GEAR	REDUCTION RATIO
Z79 - 1P	1 / 79
Z63 - 1P	1 / 63