

MK63 INT. 31 - RIGHT/LEFT



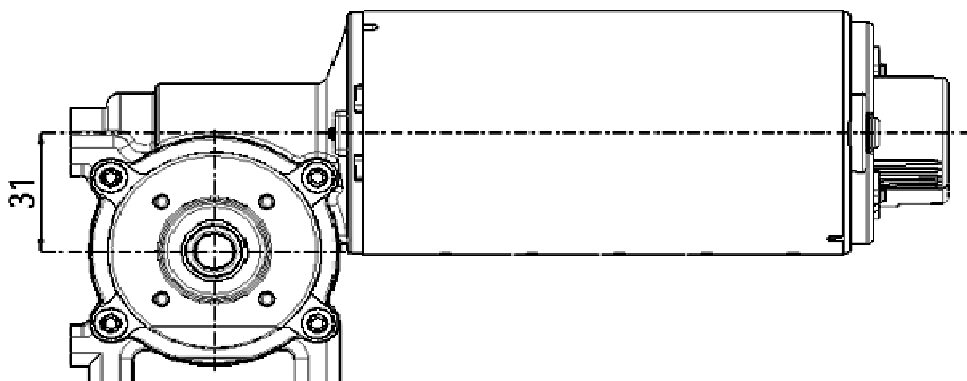
Diam. 63 mm

Rated voltage: 12-24-40-60

Rpm: 130÷190

Torque: 4 Nm

GEAR REDUCER TYPE	REDUCTION RATIO
Z28 - 4P	1 ÷ 7
Z30 - 2P	1 ÷ 15
Z30 - 3P	1 ÷ 10





COSTRUZIONE MOTORI ELETTRICI

Vicolo Vienna,5 - 24040 Bottanuco (BG)
ITALIA

Tel. 035/906594 - Fax 035/906158
Internet <http://www.fise-spa.it>
E-mail fisespa@fise-spa.it

BOLLETTINO
TECNICO

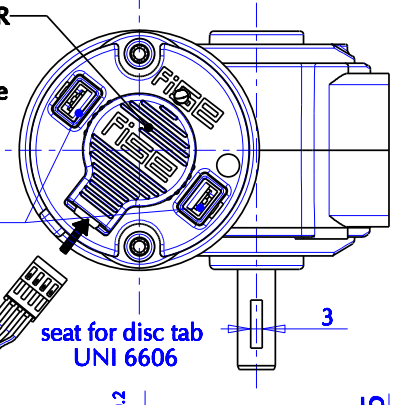
motor code
MK

RATED VOLTAGE (V) : 12,24,40,60
RPM/MIN : 130+190
TORQUE Nm : 4

REDUCTION GEAR	REDUCTION RATIO
Z28 - 4P	1 / 7
Z30 - 3P	1 / 10
Z30 - 2P	1 / 15

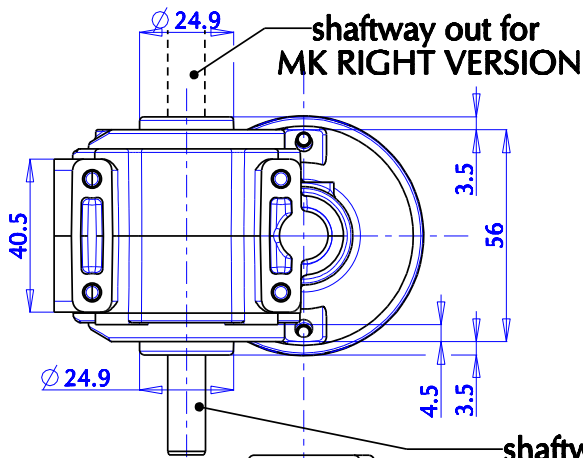
VERSION WITH ENCODER
1 Channel,
2 Channels,
1 Channel + rotation sense

-male terminal for female
faston 6.3 x 0.8
-power supply cables section
1 mm²

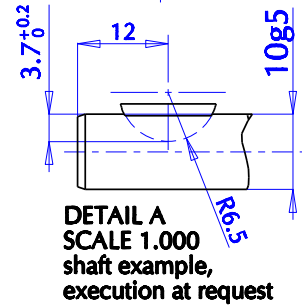
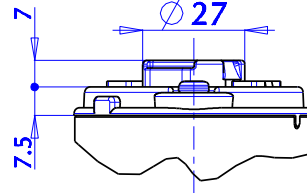


Connector
4 poles pitch 2.54mm
I/O ENCODER

seat for disc tab
UNI 6606



VERSION WITHOUT ENCODER

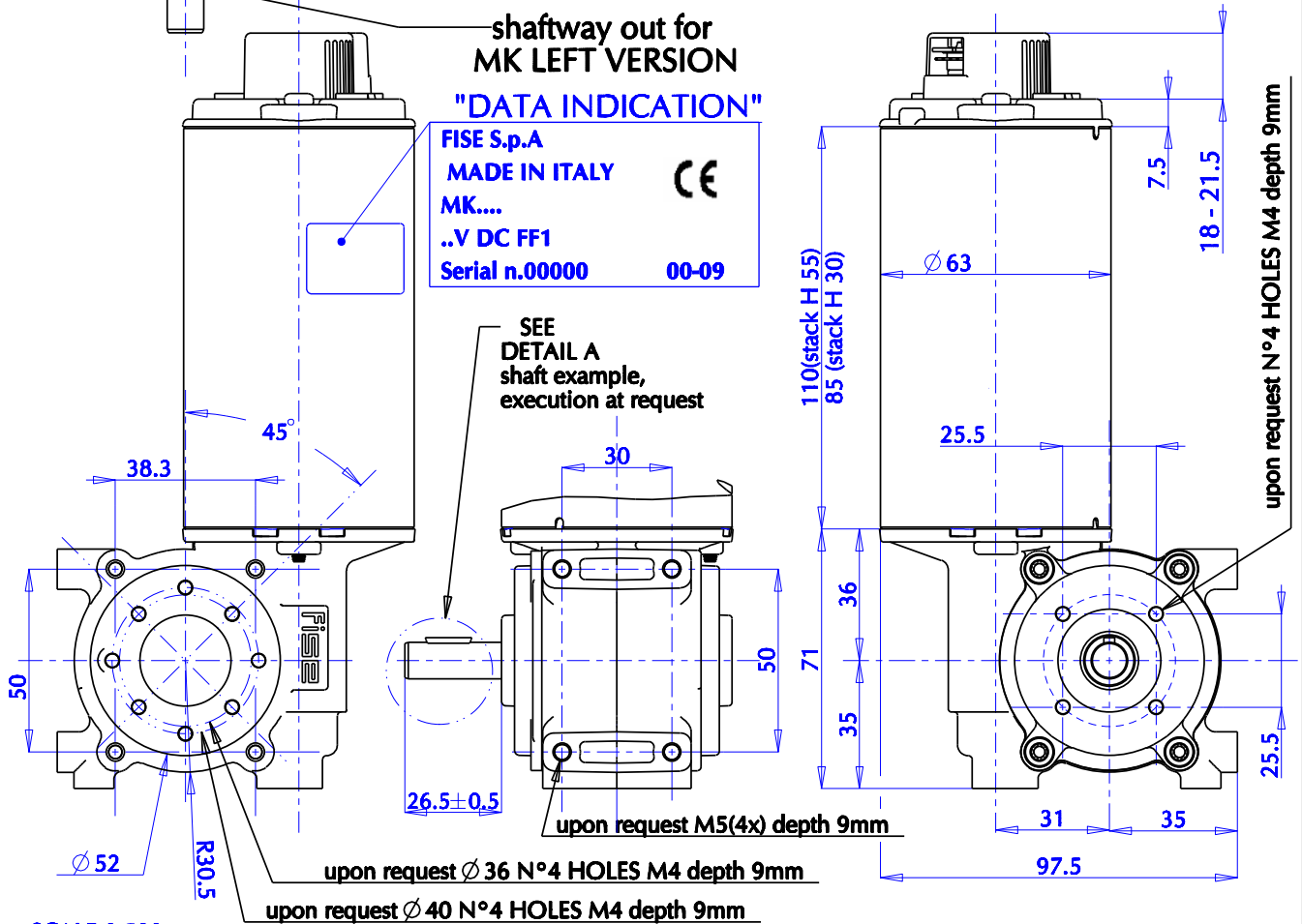


shaftway out for
MK LEFT VERSION

"DATA INDICATION"

FISE S.p.A
MADE IN ITALY
MK...
..V DC FF1
Serial n.00000 00-09

SEE
DETAIL A
shaft example,
execution at request



SCALE 0.500

ISSUED ON : 03-02-09



COSTRUZIONE MOTORI ELETTRICI

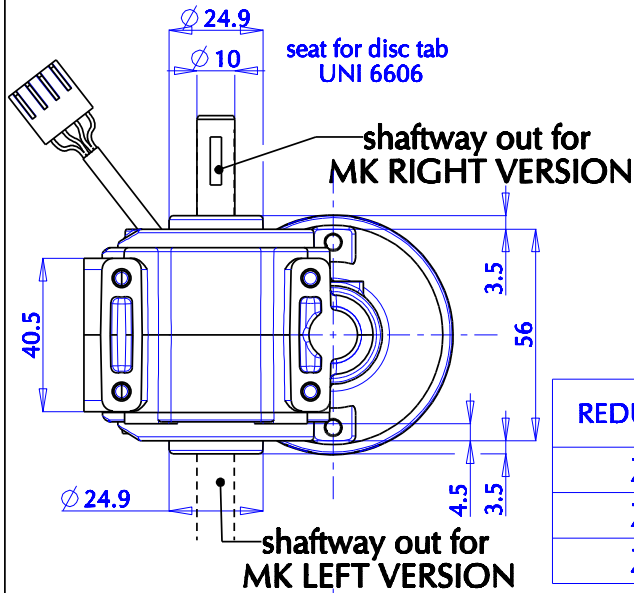
Vicolo Vienna,5 - 24040 Bottanuco (BG)
ITALIA

Tel. 035/906594 - Fax 035/906158
Internet <http://www.fise-spa.it>
E-mail fisespa@fise-spa.it

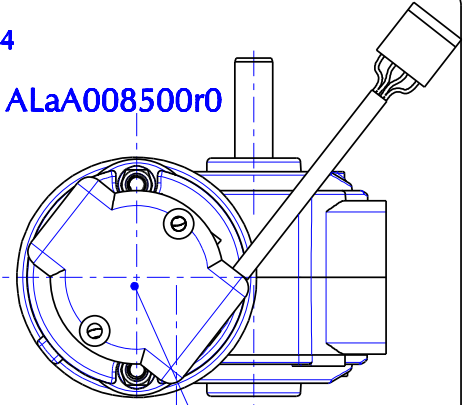
BOLLETTINO
TECNICO

motor code
MK

RATED VOLTAGE (V) : 12,24,40,60
RPM/MIN : 130+190 TORQUE Nm : 4

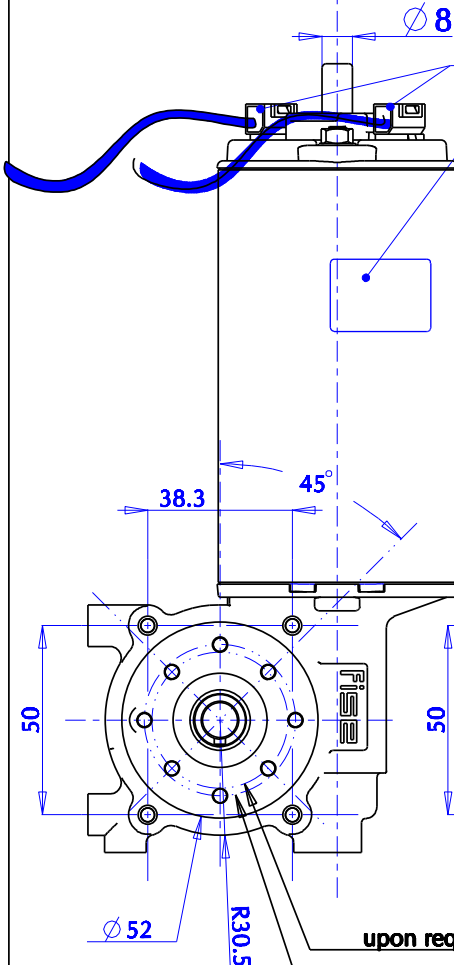


shaft ALaA008500r0



REDUCTION GEAR	REDUCTION RATIO
Z28 - 4P	1 / 7
Z30 - 3P	1 / 10
Z30 - 2P	1 / 15

-male terminal for female faston 6.3 x 0.8
-power supply cables section 1 mm²



SCALE 0.500

ISSUED ON : 05-07-2010