



COSTRUZIONE MOTORI ELETTRICI

Vicolo Vienna,5 - 24040 Bottanuco (BG)  
ITALIA

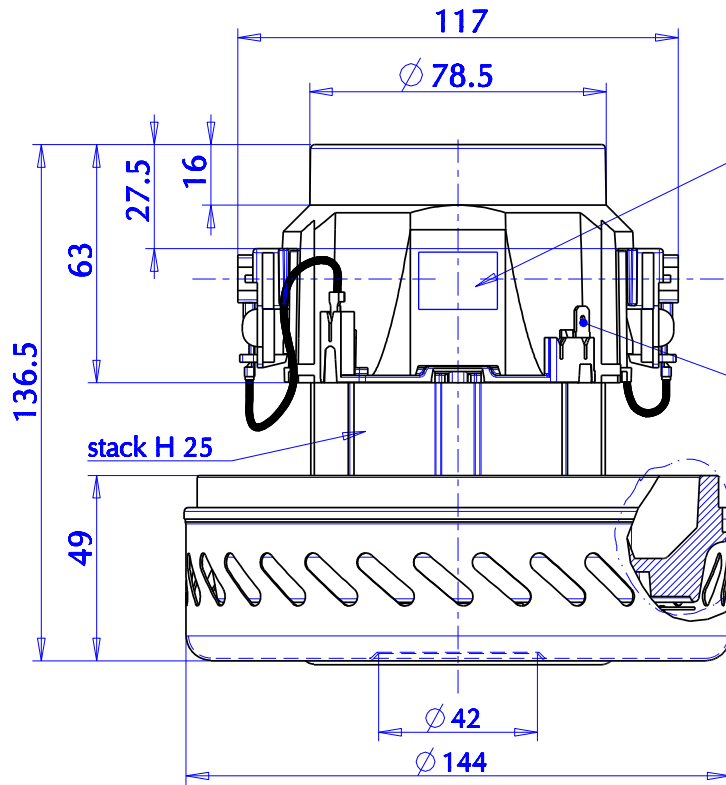
Tel. 035/906594 - Fax 035/906158  
Internet <http://www.fise-spa.it>  
E-mail [fisespa@fise-spa.it](mailto:fisespa@fise-spa.it)

DATA SHEET

MOTOR CODE

**S4.1**  
**(T. DIR)**

**POWER (W) : 800 ÷ 1300**



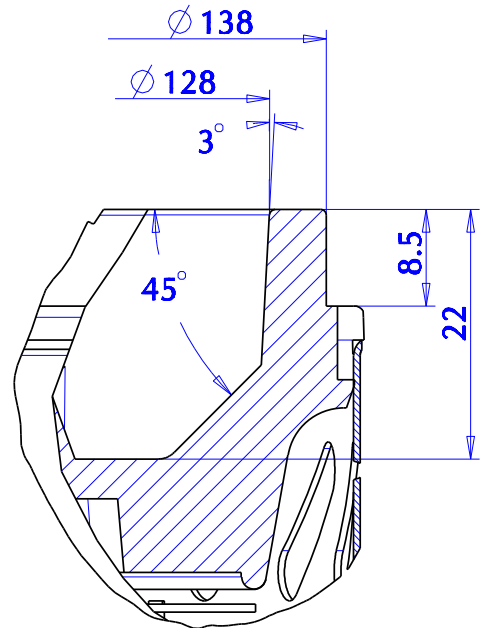
Motor label

*FISE S.p.A*  
*S41....*  
*.... V .... Hz .... W*  
*CL....assembly line n°....*  
*Serial N. 00000 week-year*



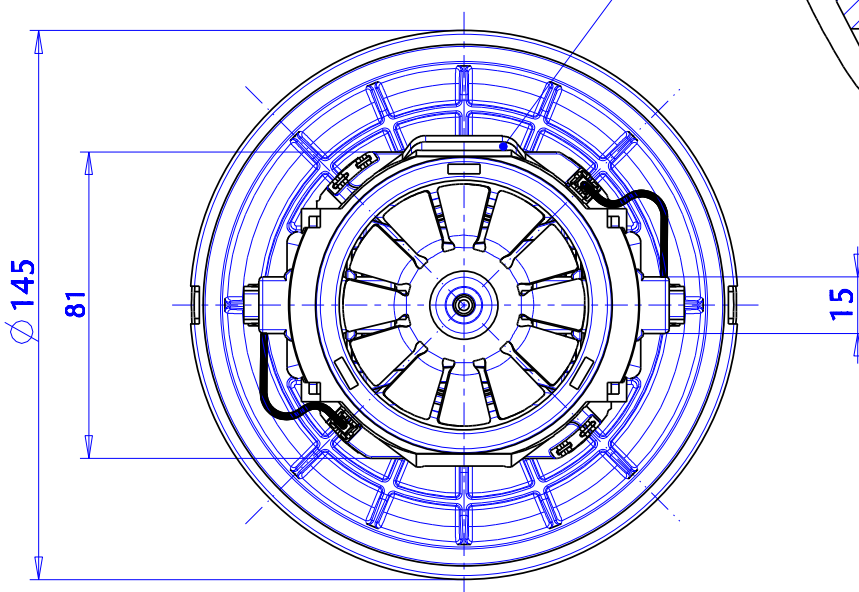
connection for female faston  
4.8X0.8

See detail X



Detail X  
SCALE 1.500

thermal protector at request



issued on :21-10-11